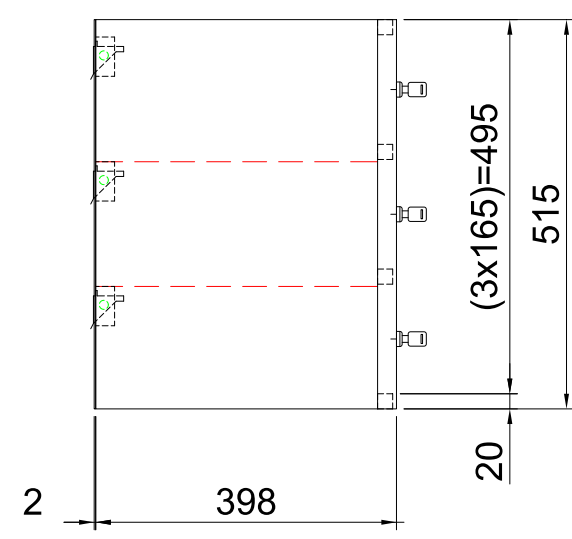
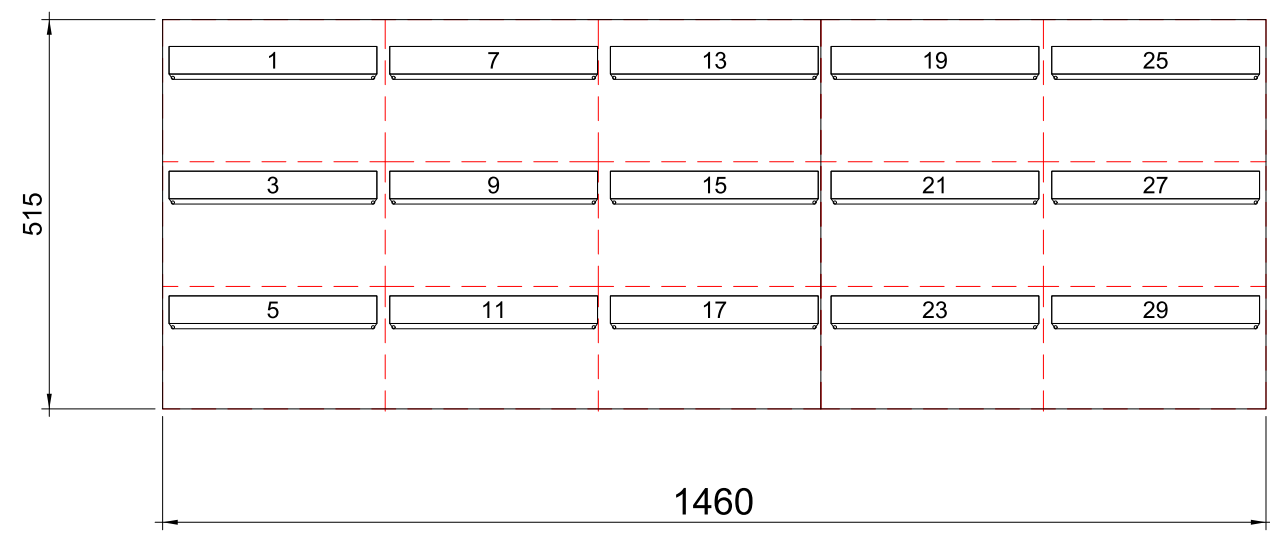
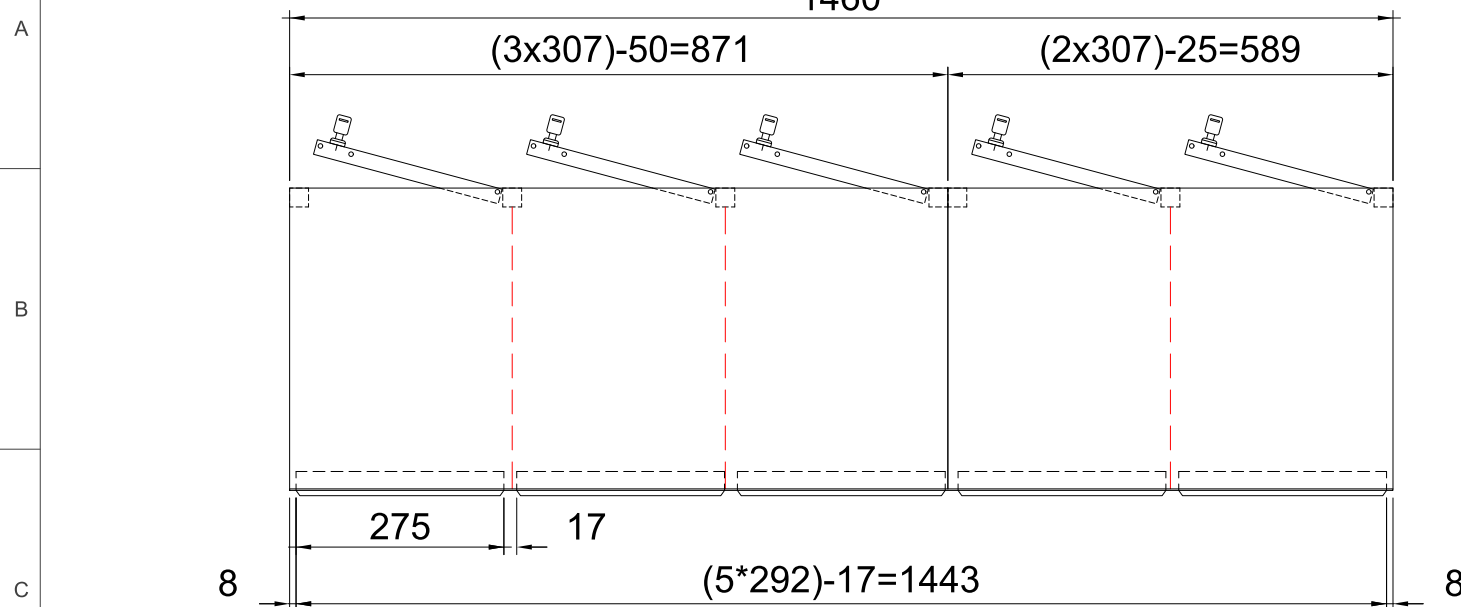
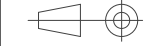


1 2 3 4 5 6 7 8



H	UNITS: mm			SCALE: 1:10	PRODUCT:	MATERIAL:
	CHECKED:	OWNER: OC		TITLE: Mail boxes	PROJECT:	1
	DATE:	DATE: 15-Dec-19		DRAWING NO.:	A3	